

Installation Manual for Pantry Units

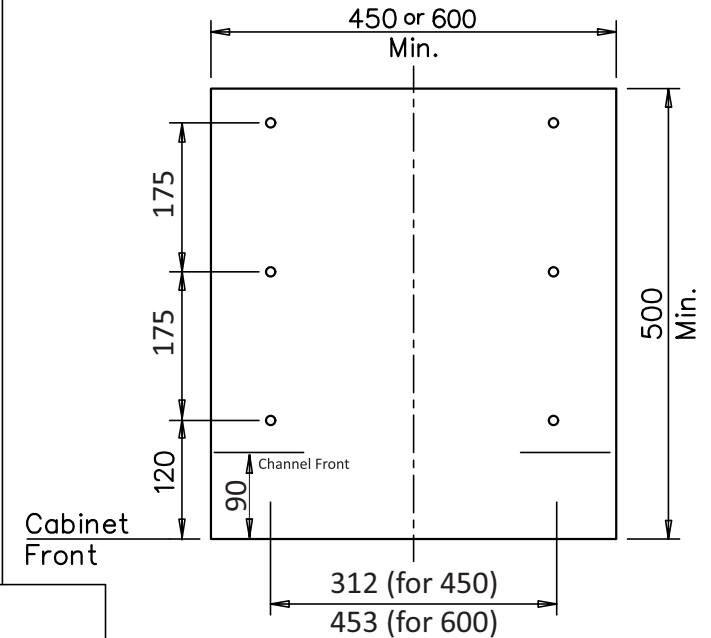
Pantry Unit
Installation



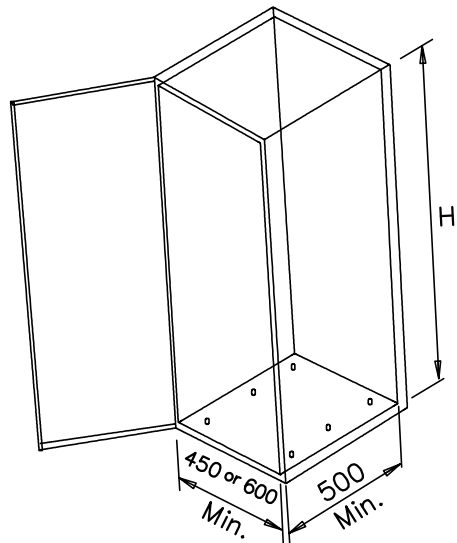
1. Product Contents

A: Upper Wheel Slider 1 No.	A: Upper Side Bracket 1 No.	C: Bottom Channel 1 Pair.	D: Bottom Bracket 2 Nos.	E: Bottom Channel Cover 2 Nos.	F: Door Frame 2 Nos.	H: Main Frame 1 No.
I: Link 2 Nos.	J: Link Bracket 2 Nos.	K: Basket for Door Frame 6 Nos./4 Nos.	L: Basket for Main Frame 6 Nos./4 Nos.	M: Screw for Bottom Bracket 6+6 Nos.		
N: Link Bracket 1+1 Nos.	O: Link Bracket Screw 4 Nos.	P: Nut for Top Bracket/Link 4 Nos.	Q: Screw for Bottom Bracket 18 Nos.	R: Screw for Door Frame 10 Nos.	S: Gas Pump 1 No.	

3 (a). Mounting Hole Location for Bottom Cabinet board



2. Suitable Cabinet Size (D500*W450 or W600*H inner dimensions)



Product Description	Cabinet Height "H"	No. of Baskets "n"
Pantry Unit 6 ft (450mm)	1850 – 2150	6+6
Pantry Unit 4 ft (450mm)	1250 – 1550	4+4
Pantry Unit 6 ft (600mm)	1850 – 2150	6+6
Pantry Unit 4 ft (600mm)	1250 – 1550	4+4

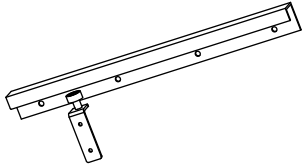
- * Can be installed on Left Handed or Right Handed Cabinets.
- * Recommended Home Care Soft Close Cabinet Hinges 6 nos. for each cabinet shutters.
- * All dimensions are in mm

Installation Manual for Pantry Units

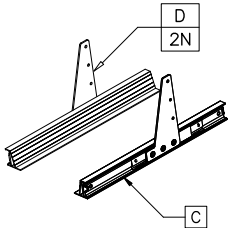
Pantry Unit
Installation



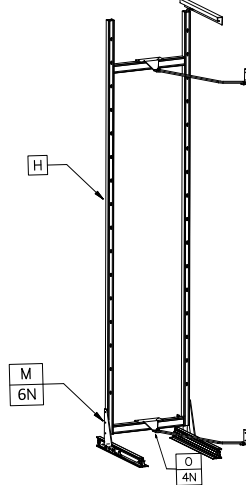
1. Upper Slider With Side Bracket Mechanism



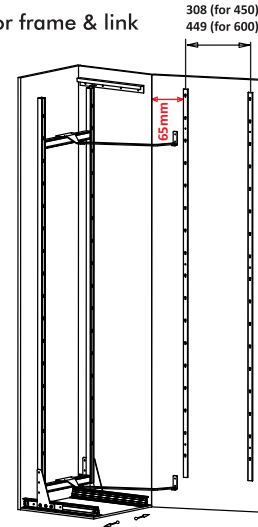
2. Bottom channel assembly with bottom brack



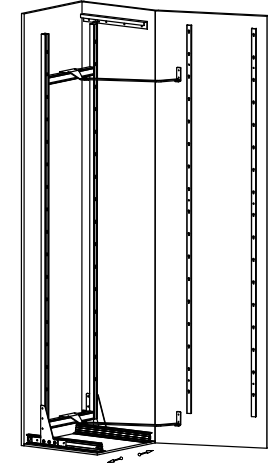
3. Top & bottom channel assembly with main frame



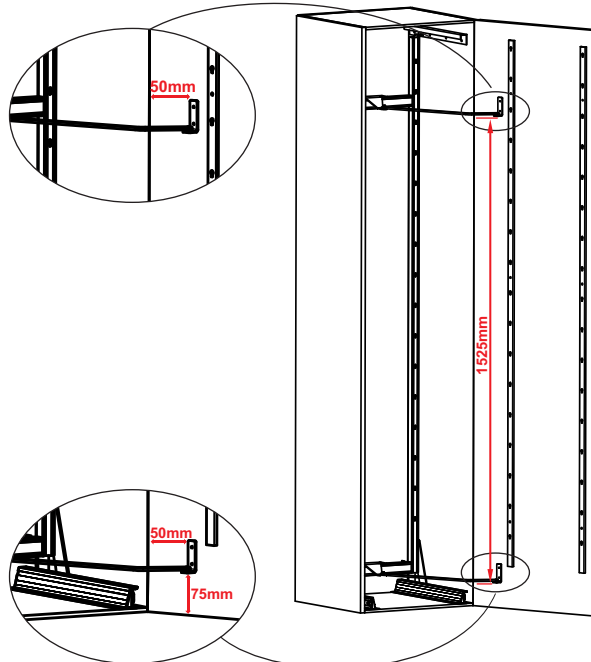
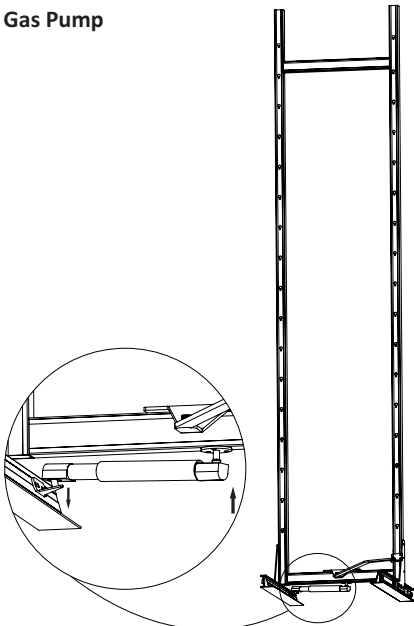
4. Fixing door frame & link



5. Fix bottom channel cover



6. Fix The Gas Pump



7. Arrange basket on main frame & door fram

